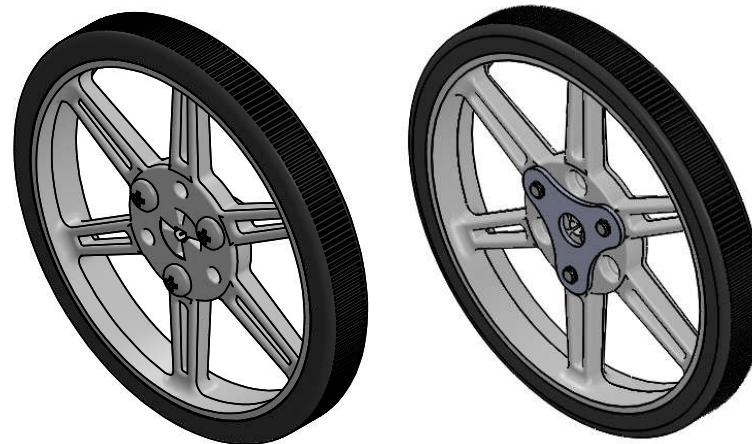
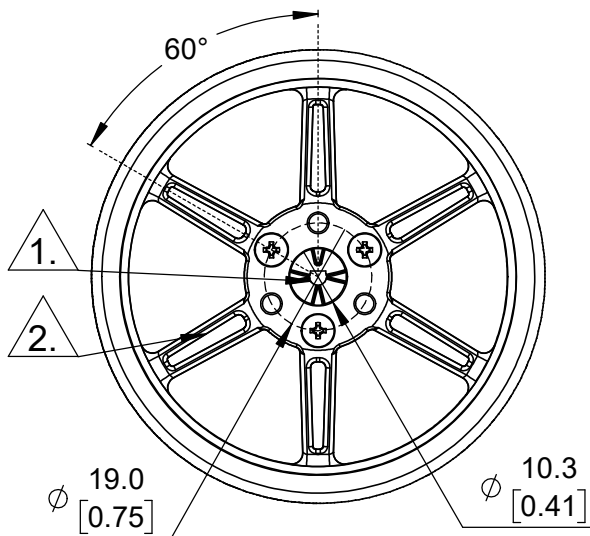


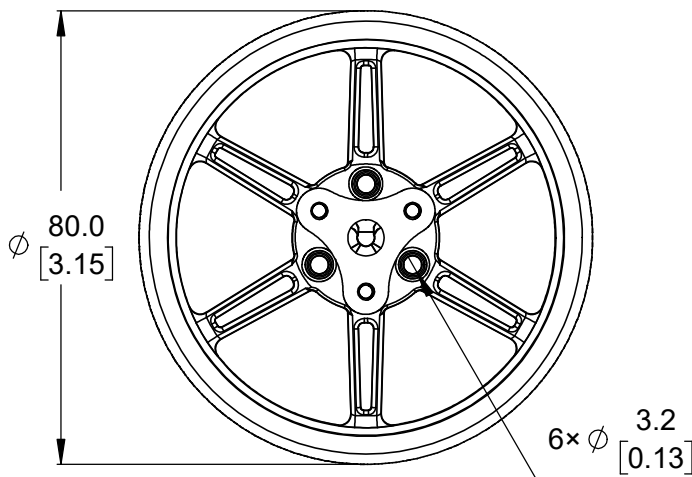
1 Profile view
Scale 3:4



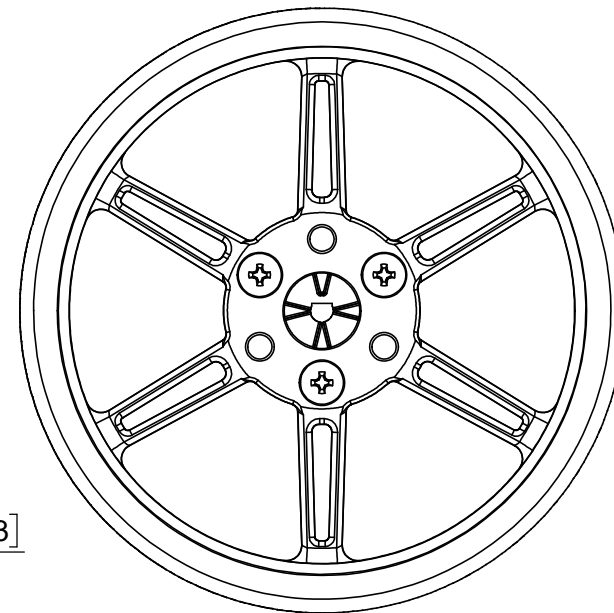
2 Isometric views
Scale 3:4



3 Front view
Scale 3:4



4 Back view
Scale 3:4



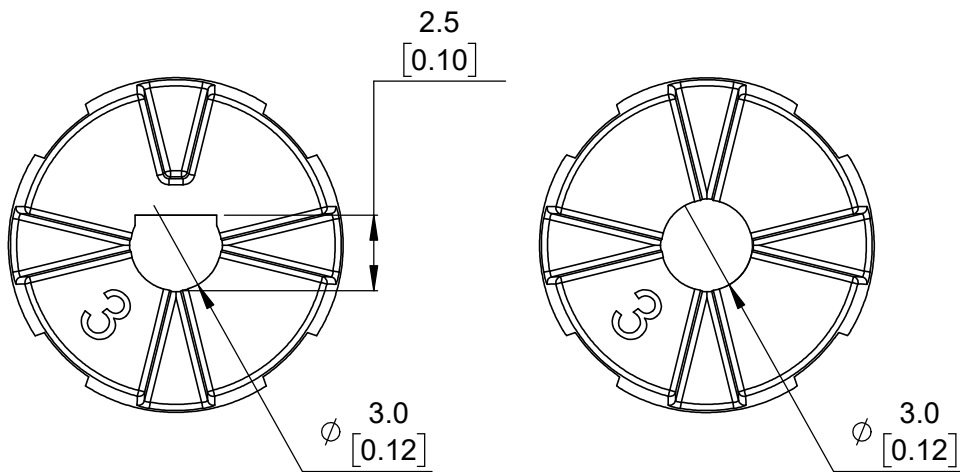
5 Front view (actual size)
Scale 1:1

- 1. Use insert that matches shaft size (3mm round, 3mm D-shaft, 4mm round or 4mm D-shaft).
- 2. Mounting cutouts fit #2 or M2 screws.
- 3. To get the specified scale, select 100% in print settings.

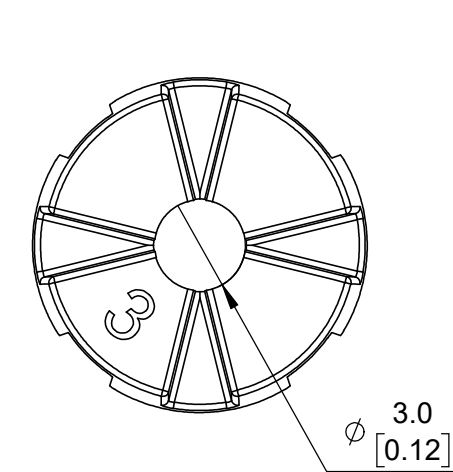
<https://www.pololu.com/product/3690>

Name: Pololu Multi-Hub Wheel with Inserts for 3mm and 4mm Shafts - 80x10mm		Item number: 3690, 3691
Drawing date: 29 June 2018	Dev code: whe01a	
Units: mm [in]	Material: mixed	

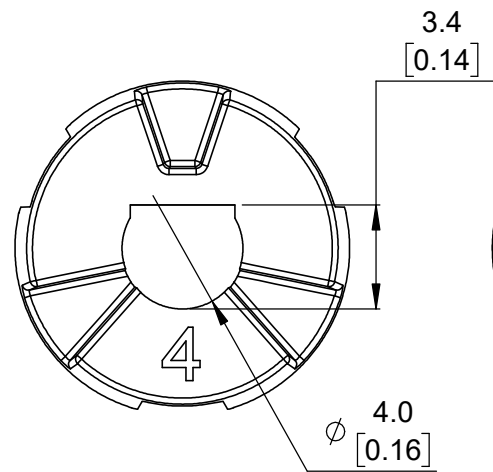




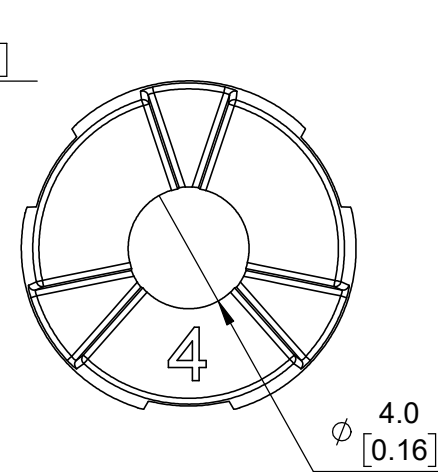
① 3mm D-shaft insert
Scale 4:1



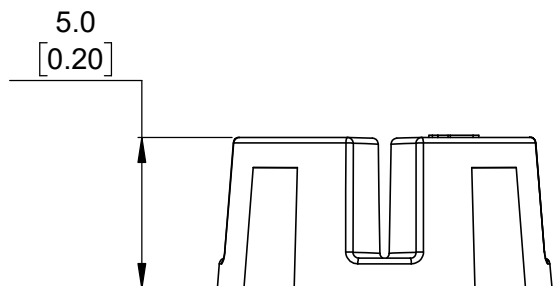
② 3mm round shaft insert
Scale 4:1



③ 4mm D-shaft insert
Scale 4:1



④ 4mm round shaft insert
Scale 4:1



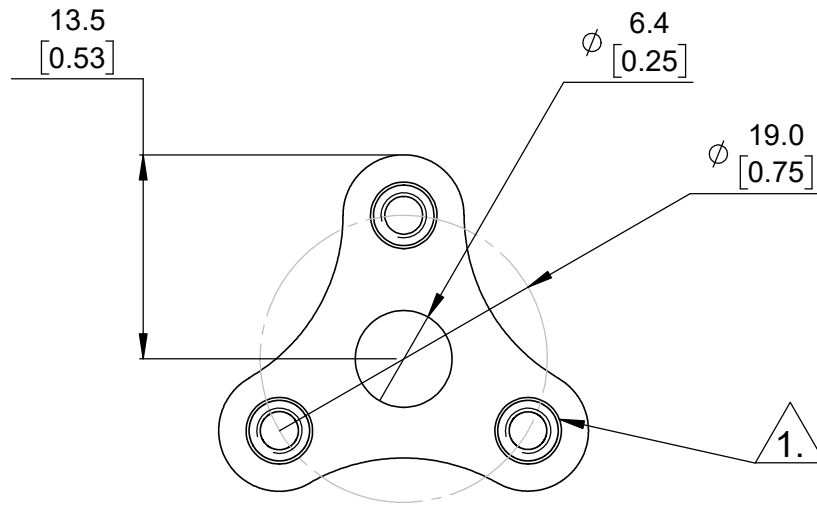
⑤ Profile view
Scale 4:1

1. To get the specified scale, select 100% in print settings.

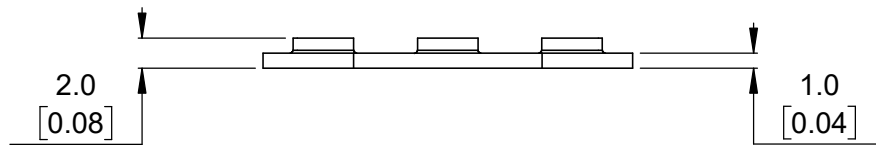
<https://www.pololu.com/product/3690>

Name: Collet Inserts for Pololu Multi-Hub Wheel		Item number: 3690, 3691
Drawing date: 29 June 2018	Dev code: whe02a, b, c, d	
Units: mm [in]	Material: ABS plastic	





① Front view



② Profile view

1.
2.

Metal plate tapped for M3 screws.
To get the specified scale, select 100% in print settings.

Scale: 2:1

<https://www.pololu.com/product/3690>

Name: Collet Plate for Pololu Multi-Hub Wheel		Item number: 3690, 3691
Drawing date: 29 June 2018	Dev code: whe03a	
Units: mm [in]	Material: steel	


Pololu
 Robotics & Electronics
 © 2018 Pololu Corporation