

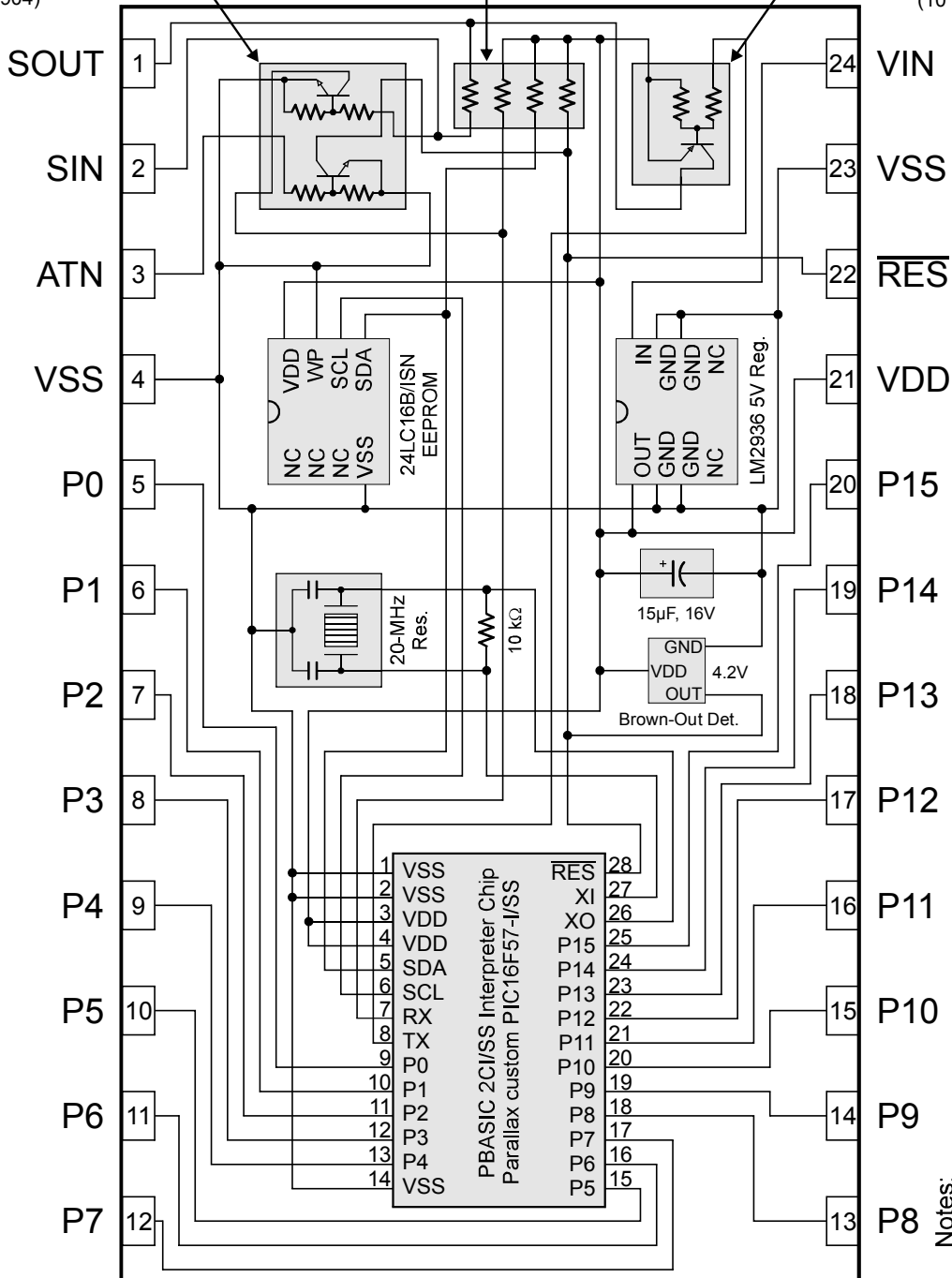
## BASIC Stamp<sup>®</sup> BS2-IC Module Schematic Rev. J

Updated 7-19-07 © Parallax, Inc.

Dual NPN Trans. Pack  
 (10 kΩ Res. & 2N3904)

Quad Res. Pack (4.7 kΩ Res.)

Single PNP Trans. Pack,  
 (10 kΩ Res. & 2N3906)



Notes:

The 15µF, 16V capacitor may be a 10-22µF, 6.3-16V tantalum capacitor.

The 24LC16B/ISN Industrial EEPROM may be a non-industrial 24LC16B/ISN EEPROM.

The PBASIC2C/SS Interpreter is an industrial PIC16F57-I/SS, PIC16C57C-20/SS, or a PIC16C57C-20/SS.

The 20 MHz resonator is not polarity sensitive and the middle pin can be connected to either VDD or VSS.

